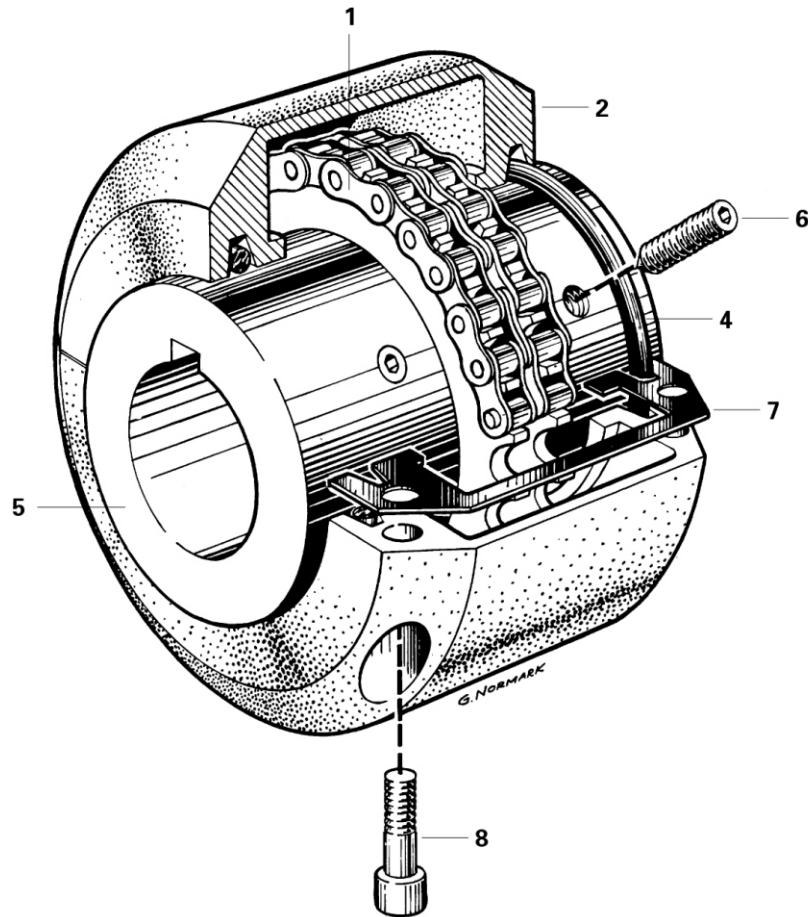


9. Compl. Chain



| No. | Description | Designation | Ref. Part No. | QTY |
|-----|-----------------------|------------------|---------------|-----|
| – | Compl. chain coupling | | 0476444000 | 1 |
| 1 | Roller chain w. lock | | 0486711000 | 1 |
| 2 | Cover, two parts | | 9000932000 | 1 |
| 3 | | | | |
| 4 | O-ring | | 3000136517 | 2 |
| 5 | Chain wheel | 418951 | 9000934000 | 2 |
| 6 | Stop screw | SK6SS 12x20 | 3000470532 | 2 |
| 7 | Rubber packing | | 0486741000 | 2 |
| 8 | Screw | MC6S 8x40-8.8-fz | 3000147459 | 4 |