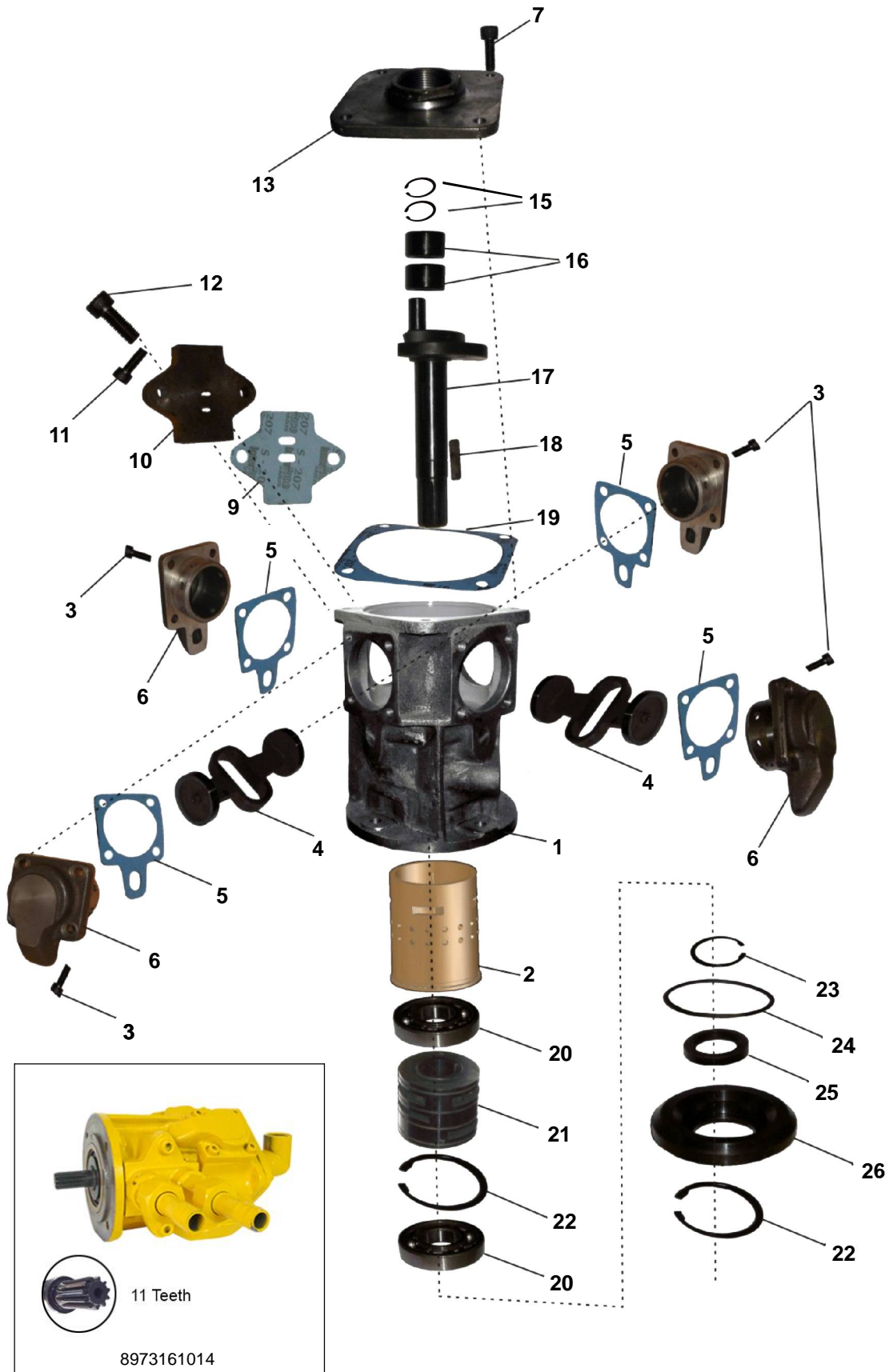


2a. Piston Motor Complete - 11 Teeth - 8973161014



2a. Piston Motor Complete - 11 Teeth - 8973161014

No.	Description	Modified		Ref. Part No.	QTY
–	Piston Motor Complete - 11 Teeth (4450077684)			8973161014	1
1	– Crankcase Feed Rotation & Traction				1
2	– Main Valve Liner			4450071200	1
3	– Screw (Modified)	0211132400	*	M100003	16
4	– Double Piston			4350222200	2
5	– Gasket			4450054400	4
6	– Cylinder			4450054300	4
7	– Screw (Modified)	0211132400	*	M100003	4
9	– Gasket			4450054600	1
10	– Distributor Plate			4450075200	1
11	– Spring Washer			0333213000	2
12	– Screw (Modified)	0211136100	*	M100012	2
13	– Cover			4350222300	1
15	– Circlip 16 mm			M100015	2
16	– Needle Bearing (Modified)	5053010800	*	M100016	2
17	– Crankshaft Rotation - 11 Teeth (Modified)	9718502700	*	M100017	1
18	– Key			0337259200	1
19	– Gasket			4450055000	1
20	– Ball Bearing			0502321800	1
21	– Main Valve			4450054700	1
22	– Circlip (Int.)			0333215700	2
23	– Circlip (Ext.)			0335113200	1
24	– O-Ring			0663613700	1
25	– Seal Ring			0666226100	1
26	– Seal Ring Retainer			4450055100	1

Note : Reference Part Number Starting With 'M' - Is Modified.